

Page 1	Section
Dimensions	Car data
Page 2	Recess plan below floor
Recess plan above floor	
Page 3	Electrical installation
Technical data	
Page 4	To be performed by the customer
Description	

KLAUS

MULTIPARKING

KLAUS Multiparking GmbH
 Hermann-Krum-Straße 2
 88319 Aitrach/Germany
 Fon +49 (0) 75 65 508-0
 info@multiparking.com
 www.multiparking.com

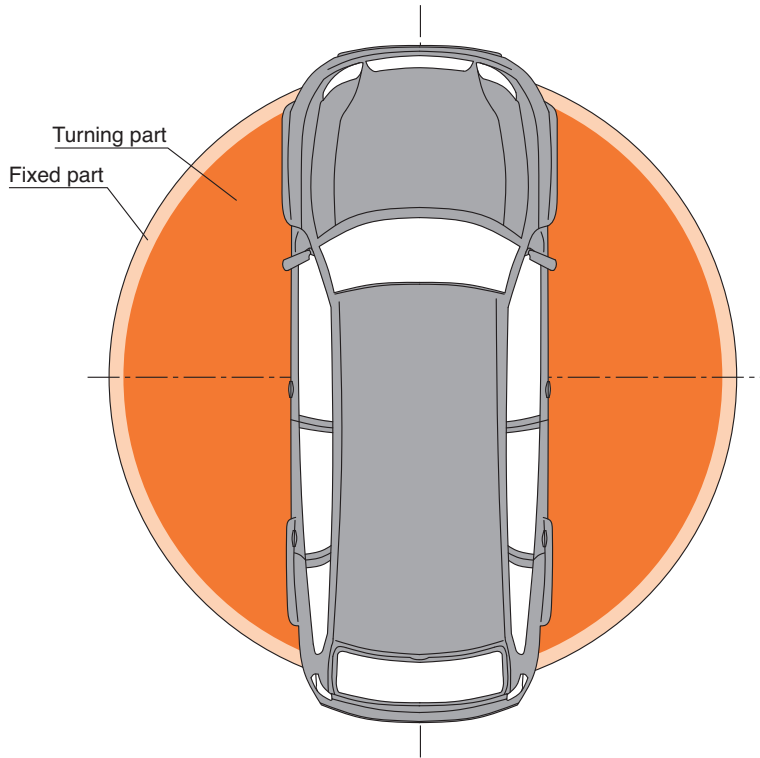
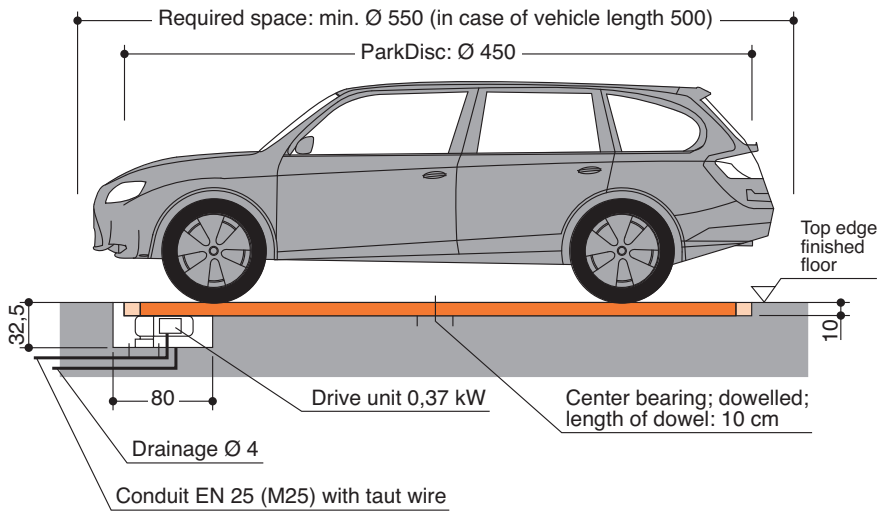


PRODUCT DATA

parkdisc D450

2500 kg

ParkDisc D450 (below floor level)



Top edge finished floor

Tolerances for the evenness of the carriageway must be strictly complied with in accordance with DIN (= German Industrial Standard) No. 18202, chart 3, line 3.

Dimensions

All space requirements are minimum finished dimensions.

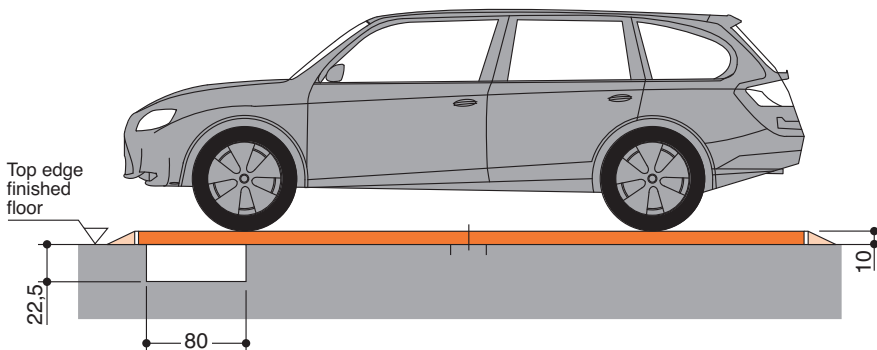
Tolerances for space requirements $+3_0$ ①
 Dimensions in cm.

Suitable for

Standard passenger cars:
 Limousine, station wagon, SUV, van,
 according to maximal surface load.

length	max. 500 cm
weight	max. 2500 kg
wheel load	max. 625 kg

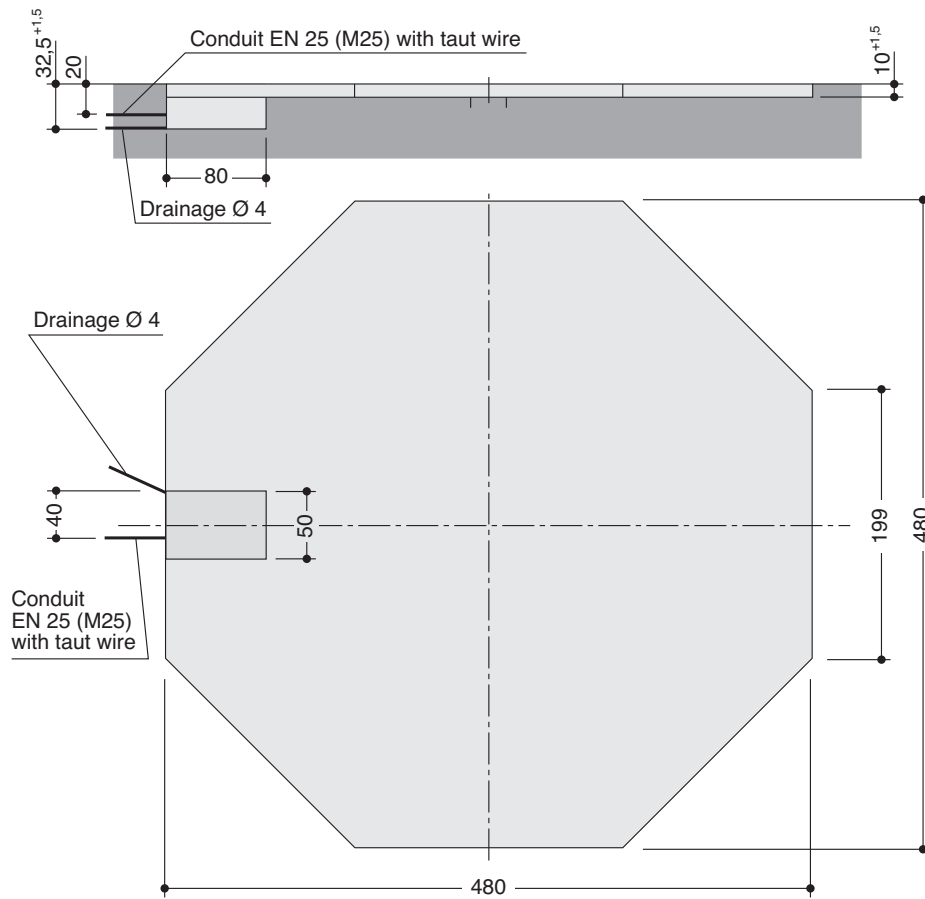
ParkDisc D450 (above floor level)



① To follow the minimum finished dimensions, make sure to consider the tolerances according to VOB, part C (DIN 18330 and 18331) and the DIN 18202.

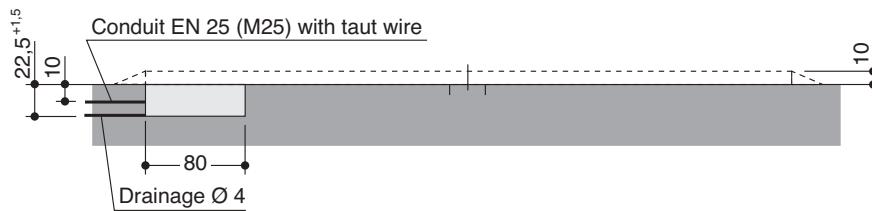
Page 1	Section
Page 2	Dimensions
Page 3	Car data
Page 2	Recess plan below floor
Page 3	Recess plan above floor
Page 3	Electrical installation
Page 4	Technical data
Page 4	To be performed by the customer
	Description

Recess plan with drive unit below floor level



Recess plan with drive unit above floor level

For above floor level only the shaft for the drive unit is required (80 x 50 x 22.5)



Page 1
Section
Dimensions
Car data

Page 2
Recess plan
below floor
Recess plan
above floor

Page 3
Electrical
installation
Technical
data

Page 4
To be performed by the customer
Description

Electrical data

Electrical supply

- Supply line 5 x 1.5 mm² (3 PH+N+PE) to the main cabinet with lockable main switch. It is possible, that special laying system and big length of the cable necessitate larger cable. The electric installation must correspond to the local standards.
- Main fuse:
3 x fuse 10 A (slow) or circuit breaker 3 x 10 A, (trigger characteristic K or C).
- The supply line to the main cabinet must be provided by the customer during installation. The functionality can be monitored on site by our fitters together with the electrician. If this cannot be done during installation for some reason for which the customer is responsible, the customer must commission an electrician at their own expense and risk.

Operating device

Easy-to-survey positioning (e.g. on column).

Technical data

Available documents

- maintenance offer/contract
- declaration of conformity

Corrosion protection

See separate sheet regarding corrosion protection.

Environmental conditions

Environmental conditions for the area of multiparking systems: Temperature range –10 to +40° C. Relative humidity 50% at a maximum outside temperature of +40° C.

Building application documents

According to LBO and GaVo (garage regulations) the Multiparking systems are subject to approval. We will provide the required building application documents.

Care

To avoid damages resulting from corrosion, make sure to follow our cleaning and care instructions and to provide good ventilation of your garage.

CE Certification

The systems offered correspond to DIN EN 14010 and the EC Machinery Directive 2006/42/EG.

Noise emission

Ball bearing of the rollers provide a low sound level.

Notes

- Max. load: cars and small trucks up to 2500 kg
- It is prohibited to work on vehicles that are currently parked on the turntable ParkDisc
- The parked vehicle must be protected against unintentional movement, in accordance to the operating instructions
- The transport of any persons on the ParkDisc is only permitted when seated inside the vehicle

Page 1
Section
Dimensions
Car data

Page 2
Recess plan
below floor
Recess plan
above floor

Page 3
Electrical
installation
Technical
data

Page 4
To be performed by the customer
Description

To be performed by the customer

Recess

Recess for drive motor and ParkDisc, drainage of the recess.

Conduit

Conduit EN 25 (M25) with taut wire between the drive pit and the main cabinet.

Embedding

Embedding in concrete.

Drainage

Optionally required drainage.

Electrical supply to the main cabinet

The supply line to the main cabinet must be provided by the customer during installation. The functionality can be monitored on site by our fitters together with the electrician. If this cannot be done during installation for some reason for which the customer is responsible, the customer must commission an electrician at their own expense and risk.

Building services

Any required lighting, ventilation, fire extinguishing and fire alarm systems as well as clarification and compliance with the relevant regulatory requirements.

If the following are not included in the quotation, they will also have to be provided / paid for by the customer:

- Costs for final technical approval by an authorized body

Description

General description

The rotor consists of individual segments that are screwed together to form a solid frame. This frame is equipped with central ball bearings and (in accordance to the static requirements for coverage) maintenance-free rollers with ball bearings, which allow low-noise movement of the ParkDisc.

These rollers are placed on the circular U-profile frame, which is mounted securely to the floor using dowelled joints. Additional concrete brackets are welded to the sides.

Drive

- The ParkDisc is driven by a three-phase geared motor using frictional resistance (0,37 kW, IP 55, 230/400 V, 50 Hz)
- In 45 seconds, the ParkDisc rotates 1 x 360° (n = 1,33/min)
- In the event of a power failure, the ParkDisc can be rotated manually by releasing the motor brake
- The motor is supported in a special compensator with adjustable contact pressure
- Specifications regarding the enclosure size for the motor and the ductwork that must be setup by the customer can be found on page 2

Operation

- A push-button is used for operation in hold-to-run control
- The power feed supplied by the customer can be interrupted using a lockable main switch

Floor cover

- The floor cover is made of galvanized corrugated sheet metal
- A cover is built-in at the appropriate location for installation and maintenance work
- Screws, nuts and plates are galvanized
- All other steel and sheet metal parts are hot-galvanized with exception of construction-related parts such as bolts, bearings, etc.

Weight

- The weight of the entire ParkDisc is approximately 1500 kg
- The ParkDisc has a diameter of 450 cm

Options

- 2-channel radio remote control
- Proximity switch (radar)
- Safety light barriers (infrared)

We reserve the right to change this specification without further notice

KLAUS Multiparking reserves the right in the course of technical progress to use newer or other technologies, systems, processes, procedures or standards in the fulfillment of their obligations other than those originally offered provided the customer derives no disadvantage from their so doing.